

XT Xpress PowerStations

Next Generation Hardware Platform
Brings Enhanced Performance, Graphics &
Reliability to Parker's Xpress HMI Family



The new XT Xpress PowerStation takes the Xpress family of Information Anywhere™ to new heights in performance, flexibility, and reliability.

World Class User Experience

The 1.83 GHz quad-core processor unlocks the power of **Xpress**. Communications to multiple PLC's/devices are handled with ease as the rich graphics, animations, and critical data update faster than ever before. The impressive responsiveness of screen navigation, along with the award winning function of **Xpress**, deliver an optimal user experience.



Xpress Runtime pre-installed



Reduced Development Time

Xpress Manager provides intuitive tools for developing HMI applications that can reduce your development time by 30% over competing toolsets.

Pair the XT, running Xpress, with the IX InteractX PowerStation, a supervisory HMI, to reduce your development time. The XT and IX can share screens and tags which reduces programming time up to 80% compared to traditional SCADA solutions!

Lower HMI Costs

For machines with multiple HMIs the XT can be used as a server with our PAC Terminals as thin clients. The PLC communications and HMI functions would be centralized with the XT and served to the client connections reducing complexity and overall cost. Costs can be reduced as much as 60% for machines with 5 or more screens.

Reduced Cabinet Size

Very sleek and slim profile significantly decreases required cabinet space while an ultra-efficient processor limits energy usage and heat generation.

Increased Reliability

Solid state memory (SD card), along with fan-less and vent-less design, eliminates common failure modes to provide long lasting and reliable operation.

Secure Remote Access

Dual LAN ports allow the plant network to be separated from the office network reducing the risks involved in remote access. Advanced security features allow for tiered login and access rights from monitoring critical production data to remote project updates.

XT Features

- No display, 7", 10", 15", and 22" touchscreen displays
- All displays are 16:9 widescreen format
- Slim 1.3" cabinet depth
- Fan-less and vent-less
- 2GB SD card storage
- 1.83 GHz Quad-Core, 4GB DDR
- 2 USB, 2 Serial, 2 LAN ports
- Intuitive Xpress software with powerful toolset
- 50+ bundled communications drivers
- Unlimited PLC/device connections
- Protocol conversion between connections
- Unlimited Tags, Screens, Alarms
- Vivid colors and rich graphics
- Secure Remote View/Control/Edit
- IP65 aluminum bezel
- Analog resistive & projected capacitive touchscreen options

ENGINEERING YOUR SUCCESS.

Xpress™ Software



- Applications can be served, created and edited online from any PC with Internet Explorer
- Advanced security for single or multi-user applications
- Tools for historical alarm data
- Remote Maintenance and sharing of applications available over the Web – reduces support costs
- Web-enabled architecture eases implementation of remote diagnostics and support on a global scale

Xpress Software

The XT comes pre-loaded with Xpress runtime which enables local or remote editing, viewing, and application development. Xpress Manager 4.1 development software provides the same functionality and helps manage multiple run times eliminating version control issues, manages communication drivers, and offers development tools when XT hardware is not available to log in. Xpress offers intuitive, object-based screen development is available using predefined panel templates, a tool bin of pre-configured tools and drag and drop editing. Panel Tools include: pushbuttons, numeric entry, selection entry, numeric displays, bar graphs, meters, gauges, sliders, message displays, time/date display and more...

The new, Xpress 4.1 fully leverages the wide availability of web browsing software to enable distributed HMI software. Remote screen sharing capabilities are now extended to any iOS or Android device with Parker's FREE Remote Manager. (Search "RemoteMgr" in the App Store.)

Parker has developed tools within Xpress that makes implementing these remote capabilities easy enough for any OEM to provide without getting IT involved. Six pre-developed levels of security help designers to quickly create user profiles which limit access from specific screens down to the read/write access of specific tools. This ensures that the correct level of access for the appropriate audience.

- **Supports local or remote development - no version control issues or online development costs**
- **Real time trend display capability**
- **Unlimited screens and tags**
- **Capacity for complex graphics and animations**



XT Xpress PowerStation Specifications

Features	XTA-000	XTA-007	XTA-010	XTA-015	XTA-022	
Display	Size	7"	10.1"	15.6"	21.5"	
	Resolution	Headless XT; has no display, but has an HDMI and VGA video out port	WVGA (800x480)	WXGA (1280x800)	FWXGA (1366x768)	HD (1920x1080)
	Viewing Angle		140(H) /110(V)	160(H) /160(V)	160(H) /160(V)	178(H) /178(V)
	Brightness		350 cd/m2	350 cd/m2	300 cd/m2	250 cd/m2
	Bulb Life (hrs)		40,000	40,000	50,000	30,000
	Weight (lbs)		2.0	2.58	4.24	10.34
Touch Interface	—		Analog Resistive	Analog Resistive	Analog Resistive	Analog Resistive or Projected Capacitive
Power Input	12/24 VDC @ 7W	12/24 VDC @ 9W	12/24 VDC @ 11W	12/24 VDC @ 18W	12/24 VDC @ 20W	
HMI Software	Xpress 4.1 Runtime					
Processor & RAM	Intel Bay Trail N2930 (1.83 GHz Quad Core) with 4GB DDR3L					
SD Storage	2GB SD card					
Ports	USB	(3) USB 2.0, (1) USB 3.0	(1) USB 2.0, (1) USB 3.0			
	Serial	(1) RS-232/422/485; (1) RS-232				
	Ethernet	(2) 1000 Base-T, RJ45				
	Audio Out	(1) Audio Out				
Environment	Temperature	0 – 50°C				
	Rel. Humidity	10-90% @ 40°C, non-condensing				
	Vibration	5-500 Hz: 1 Grms random				
	Shock	15 G peak @ 11 msec				
IP Rating	IP65 Front Bezel					
Agency Approval	CE, UL/cUL, IEC/EN61010, FCC Class A, Haz-Loc (Class1 Div2)*, RoHS, REACH					

XT Ordering Information

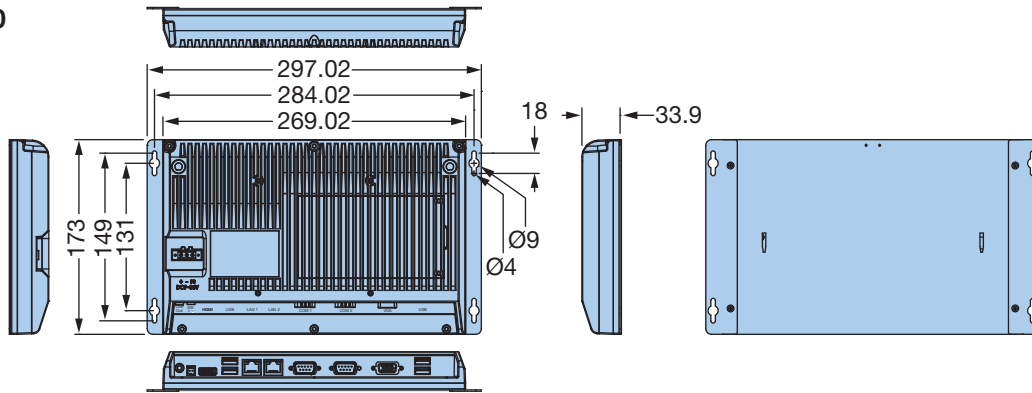
Order Example:	①	②	③	④	⑤	⑥	⑦	⑧
	XT	A	- 010	- 3	R	2	- 3	5

Select an option from each numbered field to create a complete model order code.

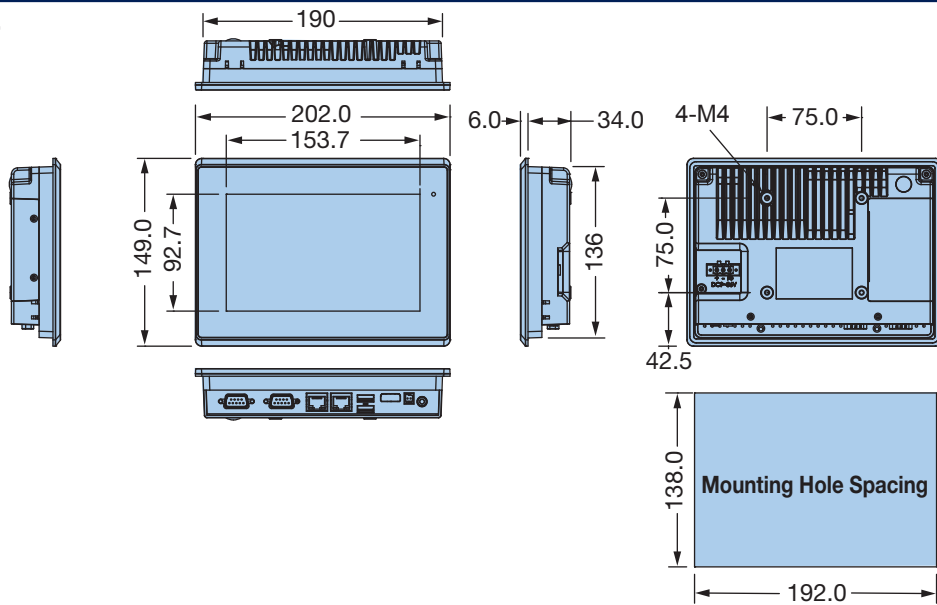
① Series Name	XT	Xpress Terminal	⑤ Interface type	N	No display
② Frame Type	A	Cast Aluminum		R	Analog resistive
③ Size Options	000	No display		P	Projective capacitive
	007	7" Touchscreen	⑥ Storage Type	2	2 GB SD Card
	010	10" Touchscreen	⑦ Operating System	3	Xpress Runtime and OS
	015	15" Touchscreen			
④ Processor	3	Bay Trail N2930 1.83 GHz, Quad-core	⑧ Certifications	3	CE, UL/cUL, IEC/EN61010, FCC Class A, RoHS, REACH
				5	Class 1 Div 2, CE, UL/cUL, IEC/EN61010, FCC Class A, RoHS, REACH

Dimensions [mm, mounting hole tolerance ± 0.5]

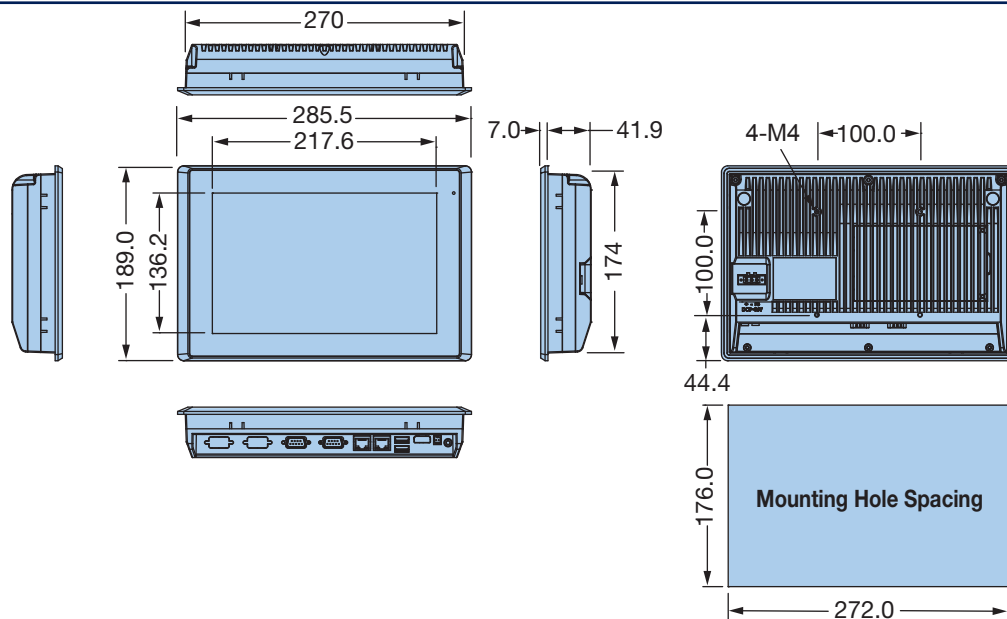
XTA-000



XTA-007

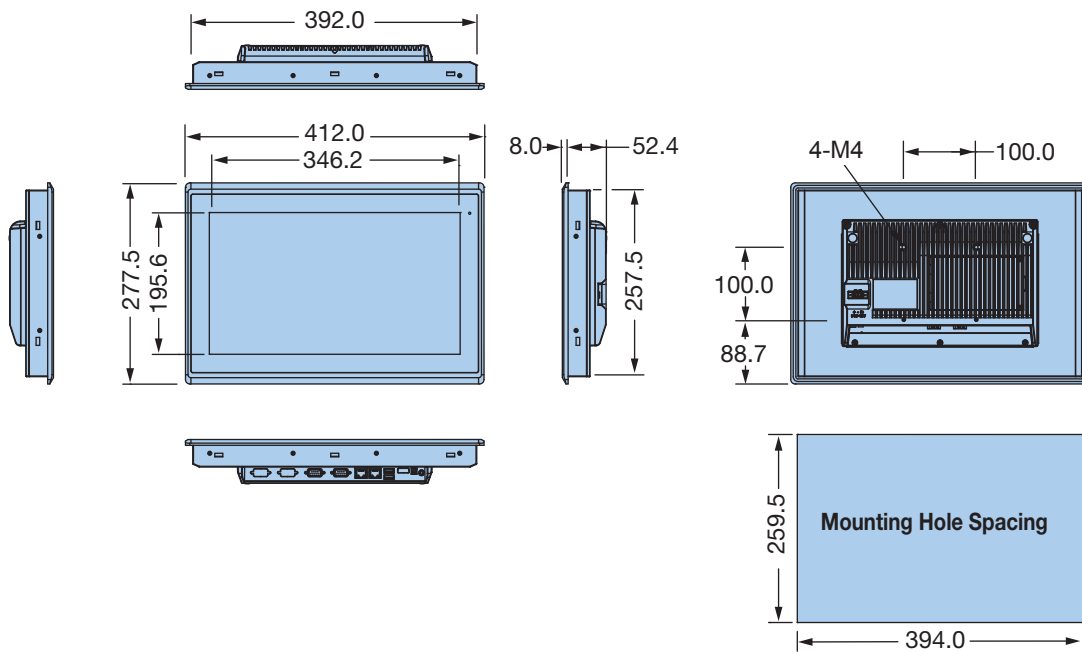


XTA-010

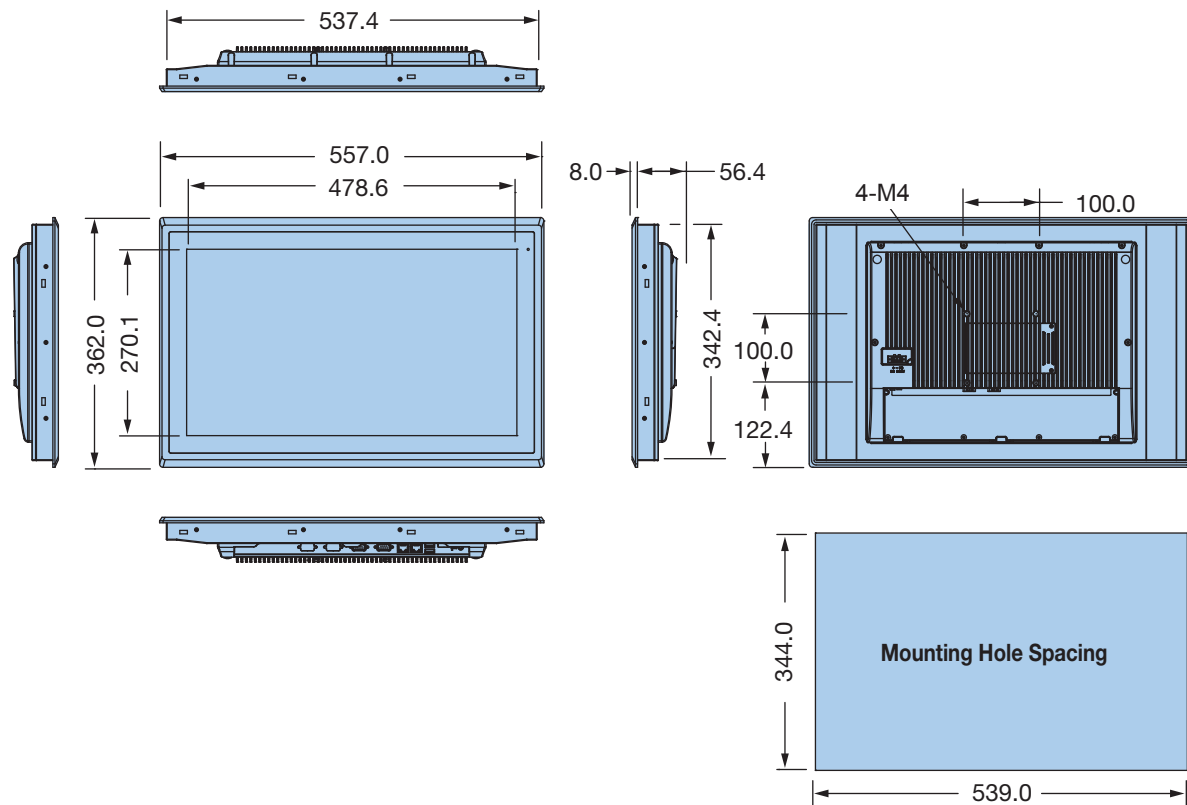


Dimensions [mm, mounting hole tolerance ± 0.5]

XTA-015



XTA-022



EM Sales Offices

Australia

Parker Hannifin (Australia) Pty Ltd.
9 Carrington Road
Castle Hill NSW 2154
Australia
Tel: +61 (0) 2 9634-7777
Fax: +61 (0) 2 9634 3749

Brazil

Parker Hannifin Ind. Com Ltda.
Av. Lucas Nogueira Garcez 2181
Esperança
12325-900 Jacareí, SP
Tel: 12 3954 5100
Fax: 12 3954 5262
Email: automation.brazil@parker.com

Canada

Parker Hannifin (Canada) Inc.
160 Chisholm Dr
Milton, Ontario L9T 3G9
Tel: 905-693-3000
Fax: 905-876-1958
Email: miltoncustservice@parker.com

China

Parker Hannifin Motion & Control
(Shanghai) Co., Ltd
280 Yunqiao Rd. Jin Qiao Export
Processing Zone
Shanghai 201206, China
Tel: (86-21) 50312525
Fax: (86-21) 64459717

France

Parker Hannifin Manufacturing
France SAS
4 Boulevard Eiffel
CS 40090
21604 Longvic
France
Tel +33 (0) 3 80 42 41 40
Fax +33 (0) 3 80 42 41 30

Germany

Electromechanical Europe
Parker Hannifin GmbH & Co KG
Robert-Bosch-Strasse 22
D-77656 Offenburg
Germany
Tel: +49 (0) 781 509 0
Fax: +49 (0) 781 509 98176
Email: em-motion@parker.com

India

Parker Hannifin India Pvt. Ltd
Automation Group-SSD Drives Div.
133 & 151 Developed Plots Estate
Perungudi, Chennai 600 096
Tel: 044-4391-0799
Fax: 044-4391-0700

Italy

Parker Hannifin SpA
Via Gounod 1
20092 Cinsello Balsamo
Milano, Italy
Tel: +39 02 361081
Fax: +39 02 36108400
Email: em-motion@parker.com

Korea

Parker Hannifin Korea
9th Floor KAMCO Yangjae Tower
949-3 Dogok 1-dong Gangnam-gu
Seoul 135-860, Korea
Tel: 82-2-559-0454
Fax: 82-2-556-8187

Mexico

Parker Hannifin de Mexico
Eje uno Norte No.100
Parque Industrial Toluca 2000
Toluca, CP 50100 México
Tel: 52-722-275-4200
Fax: 52-722-279-0316

Singapore

Parker Hannifin Singapore Pte Ltd
11, Fourth Chin Bee Road
Singapore 619702
Tel: (65) 6887 6300
Fax: (65) 6265 5125/6261 4929

Taiwan

Parker Hannifin Taiwan Co., Ltd
No. 40, Wuchiuan 3rd Road
Wuku Industrial Park
Taipei County, Taiwan 248
ROC
Tel: 886 2 2298 8987
Fax: 886 2 2298 8982

Thailand

Parker Hannifin (Thailand) Co., Ltd.
1265 Rama 9 Road
Suanluang, Bangkok 10250
Thailand
Tel: (66) 2 186 7000
Fax: (66) 2 374 1645

UK

Parker Hannifin Ltd.
Tachbrook Park Drive
Tachbrook Park
Warwick CV34 6TU
Tel: +44 (0) 1926 317970
Fax: +44 (0) 1926 317980

USA

Parker Hannifin Electromechanical
& Drives Division Main Office
9225 Forsyth Park Drive
Charlotte NC 28273 USA
Tel: (704) 588-3246
800-358-9070
Fax: (704) 588-3249
Email: emn_support@parker.com

Parker Hannifin Electromechanical
Automation Division
1140 Sandy Hill Road
Irwin, PA 15642 USA
Tel: (724) 861-8200
800-245-6903
Fax: (724) 861-3330
Email: emn_support@parker.com

Parker Hannifin Electromechanical
Motor and Gearhead Business Unit
2101 North Broadway
New Ulm, Minnesota 56073 USA
Tel: (507) 354-1616
800-358-9070
Fax: (507) 233-2390
Email: emn_support@parker.com

Parker Hannifin Electronics
Business Unit
5500 Business Park Drive
Rohnert Park, CA 94928 USA
Tel: (707) 584-7558
800-358-9070
Fax: (707) 584-8015
Email: emn_support@parker.com

Parker Hannifin T-Slot Aluminum
Framing and Guarding (IPS)
135 Quadral Drive
Wadsworth, OH 44281 USA
Tel: (330) 334-3335
800-358-9070
Fax: (330) 334-2350
Email: emn_support@parker.com



Parker Hannifin Electromechanical & Drives Division

www.parker.com/emn
9225 Forsyth Park Drive
Charlotte NC 28273 USA
Tel: (704) 588-3246
800-358-9070
Fax: (704) 588-3249
Email: emn_support@parker.com